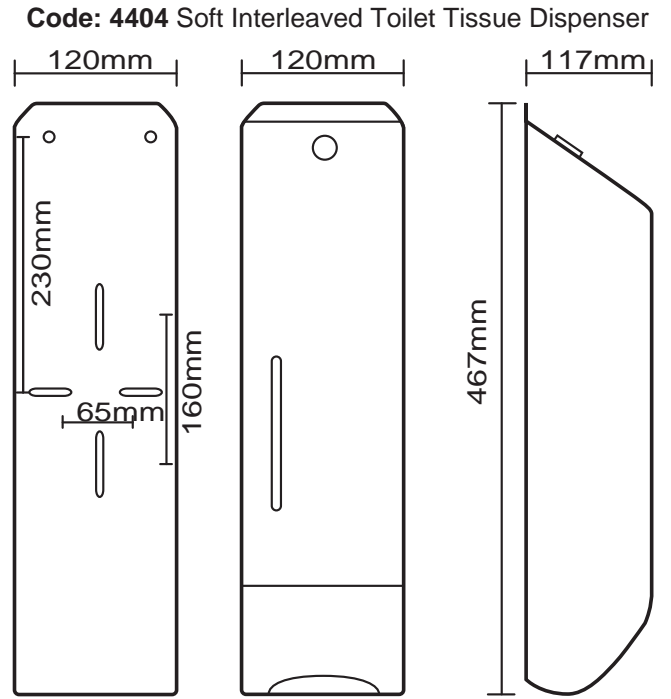
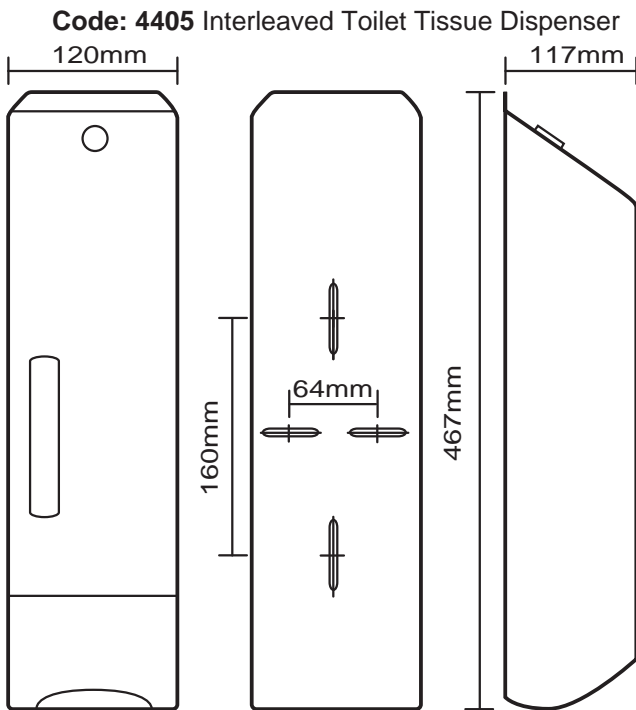


Suits KLEENEX® code 4322, SCOTT® code 4321.

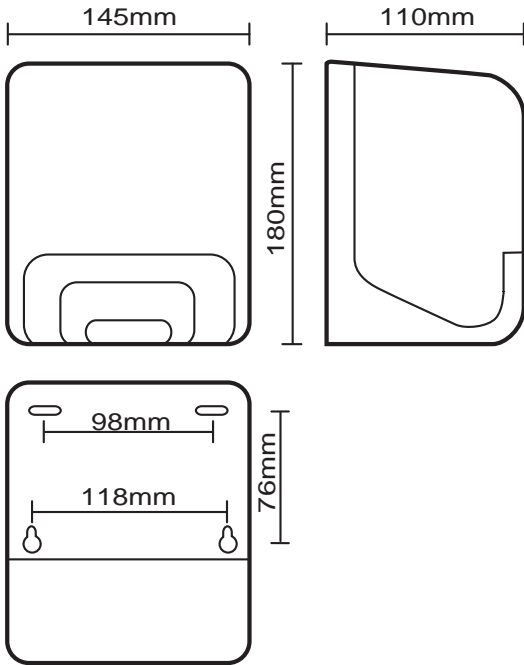


Suits KLEENEX® code 4322, SCOTT® code 4321.



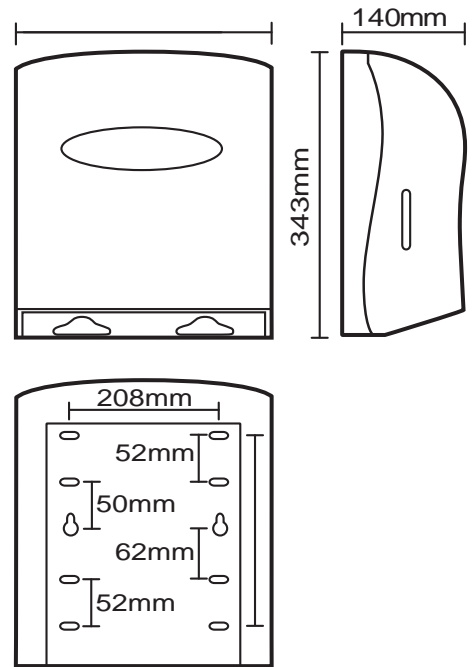
Suits KLEENEX® code 4322, SCOTT® code 4321.

Code: 4413 Interleaved Toilet Tissue Dispenser



Suits KLEENEX® code 4322, SCOTT® code 4321.

Code: 4437 Interleaved Toilet Tissue Dispenser



Suits KLEENEX® code 4322, SCOTT® code 4321.